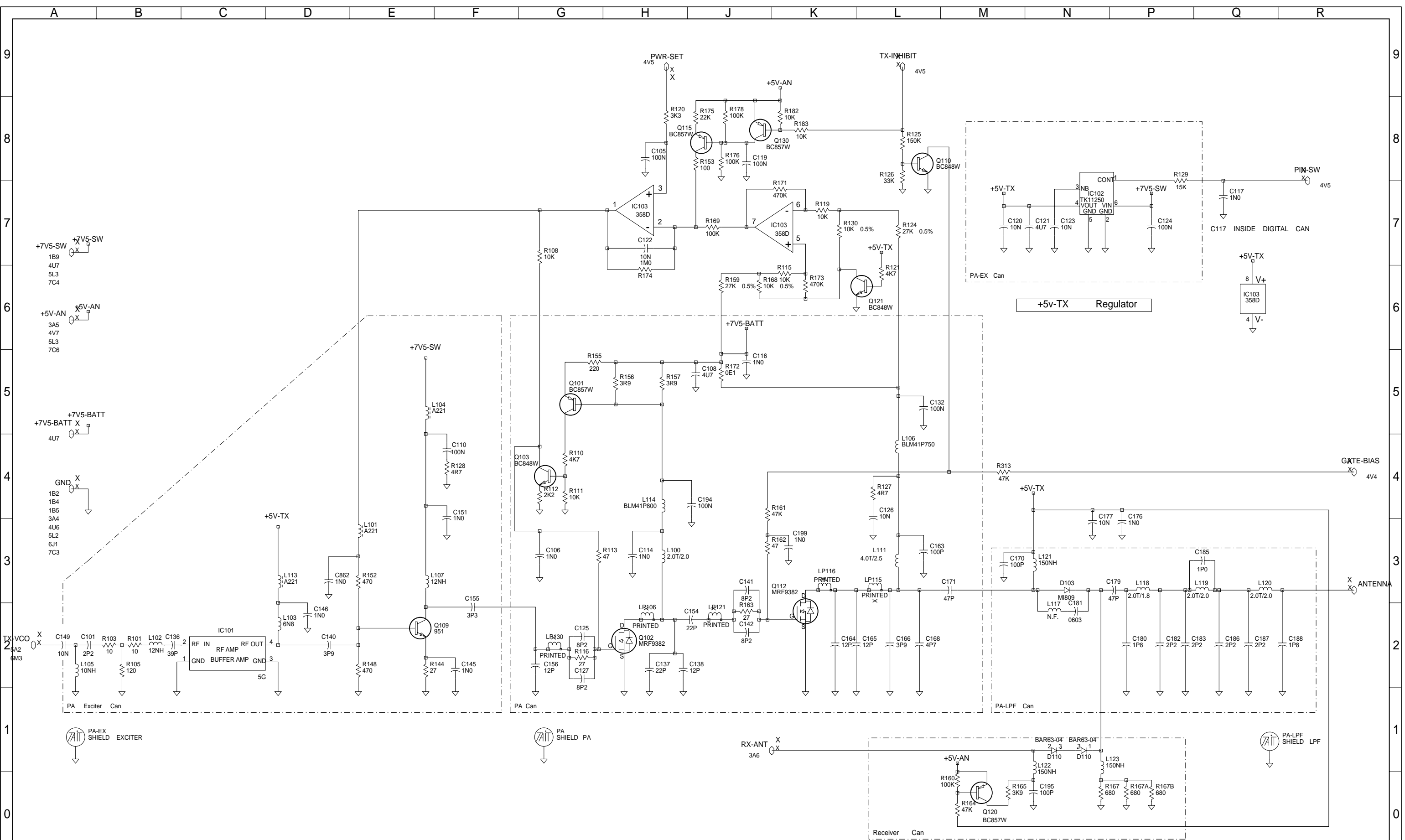


TAIT ELECTRONICS IPN: 220-01416-02 ISS: -02A ID: 6.BA DATE: 28 Apr 1999
 ORCA 800MHZ PCB LAYOUT - BOTTOM SIDE

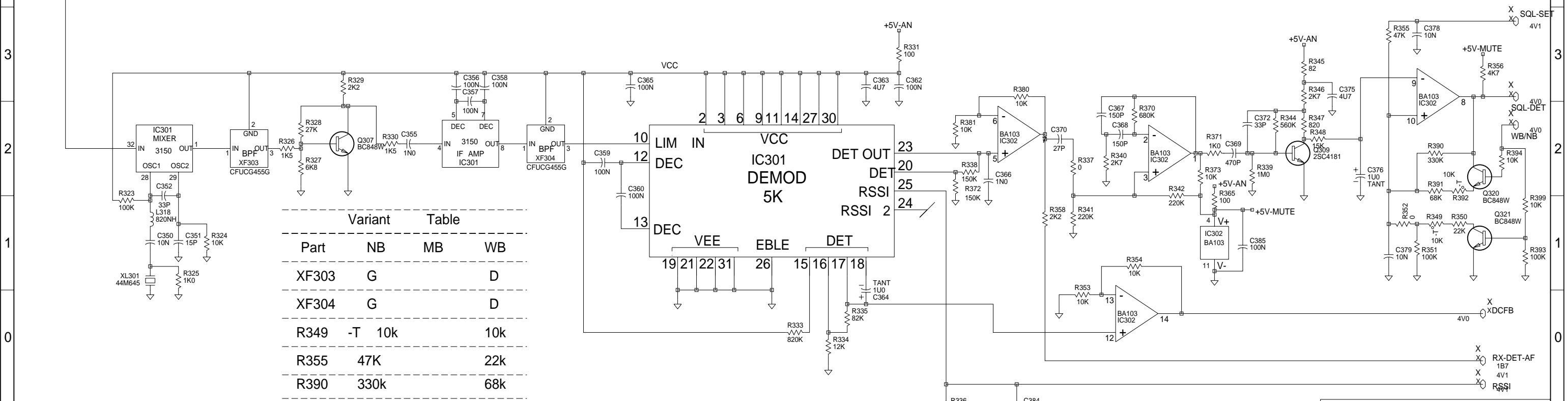
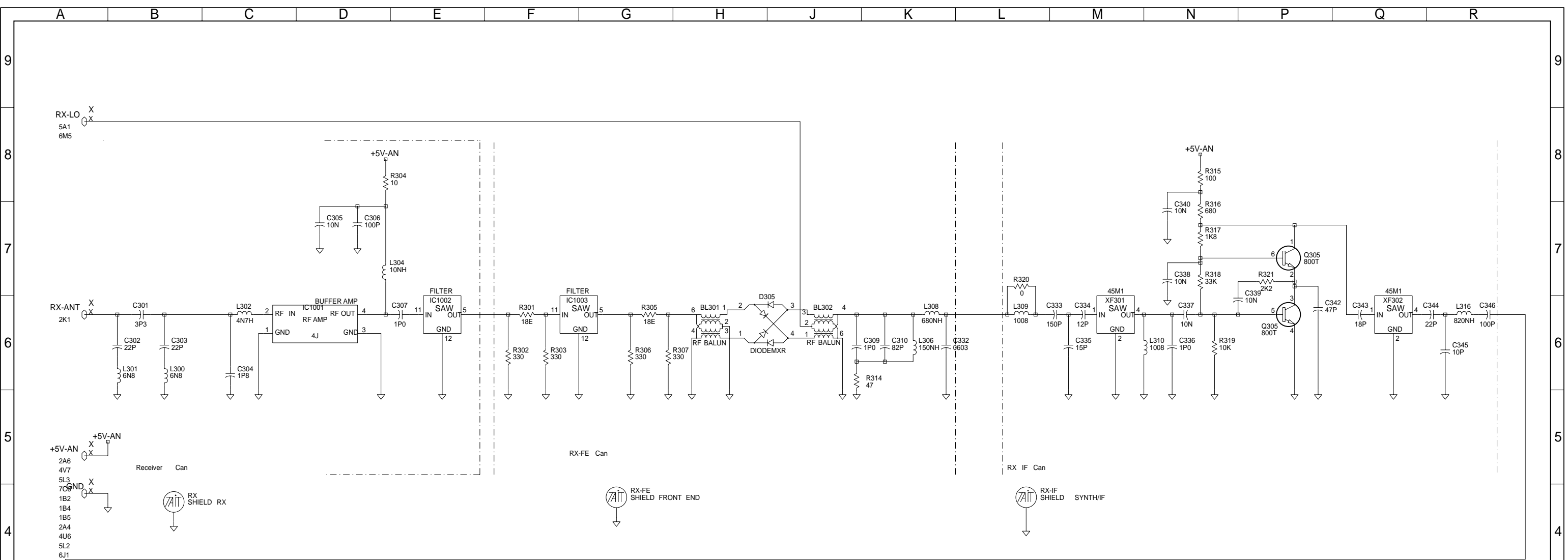
Scale: 2.3:1 ; Rotation: 0 degrees



L121 L122 L123 150n 1008

© TAIT ELECTRONICS
 ORCA :TOP- 800MHZ
 POWER AMPLIFIER
 IPN: B ID: 2.S.C. 2
 PROJECT: 220-01416-02 DESIGNER: CJK FILE NAME: 141602B FILE DATE: 12/05/99 NO.SHEETS: 7

REV/ISS	AMENDMENTS	DRAWN	CHKD	D.O.	APVD	DATE
A						

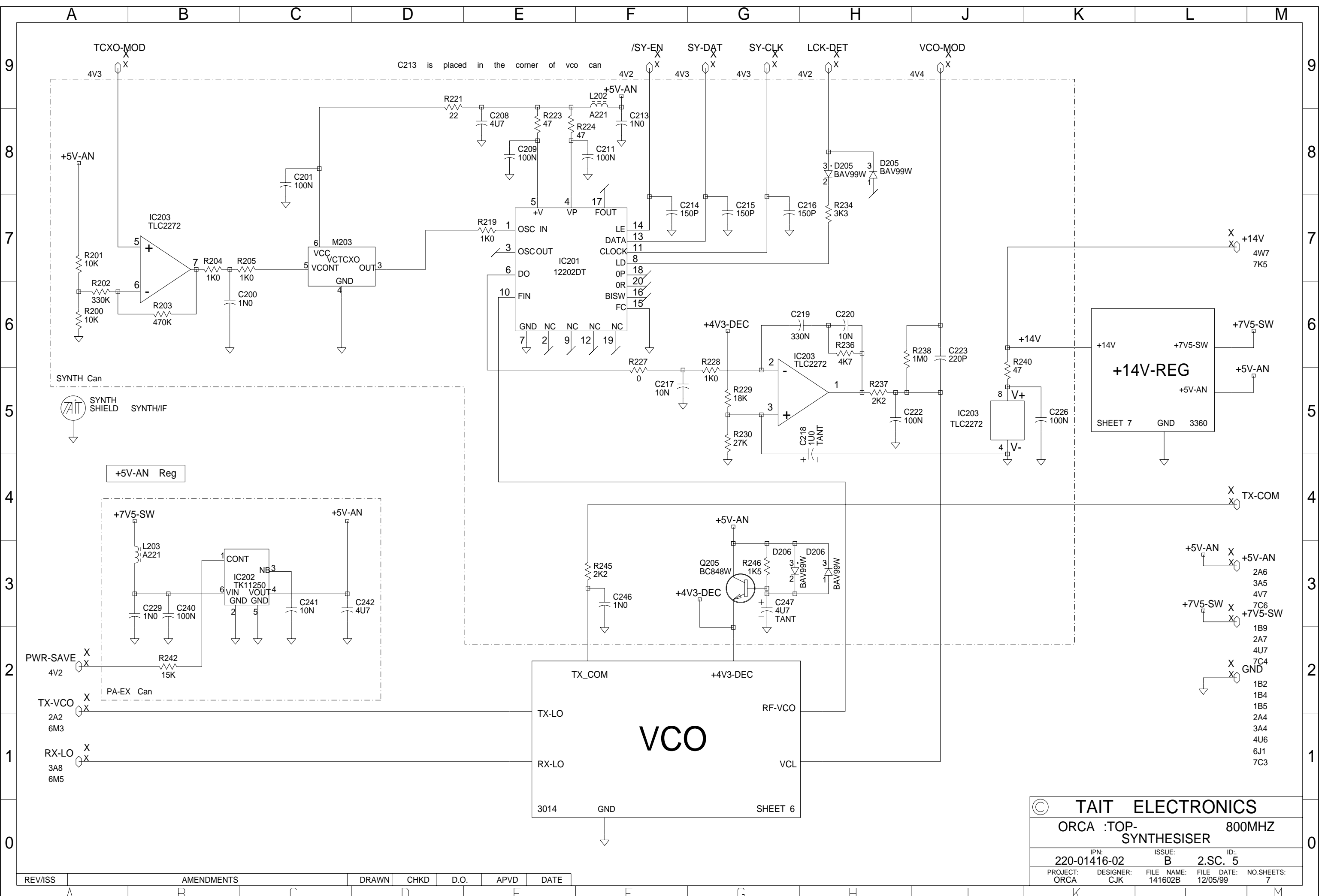


Variant Table

Part	NB	MB	WB
XF303	G		D
XF304	G		D
R349	-T	10k	10k
R355	47K		22k
R390	330k		68k
C370	27p		22P
C369	470p		330P

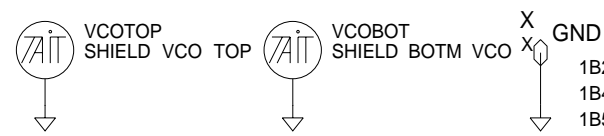
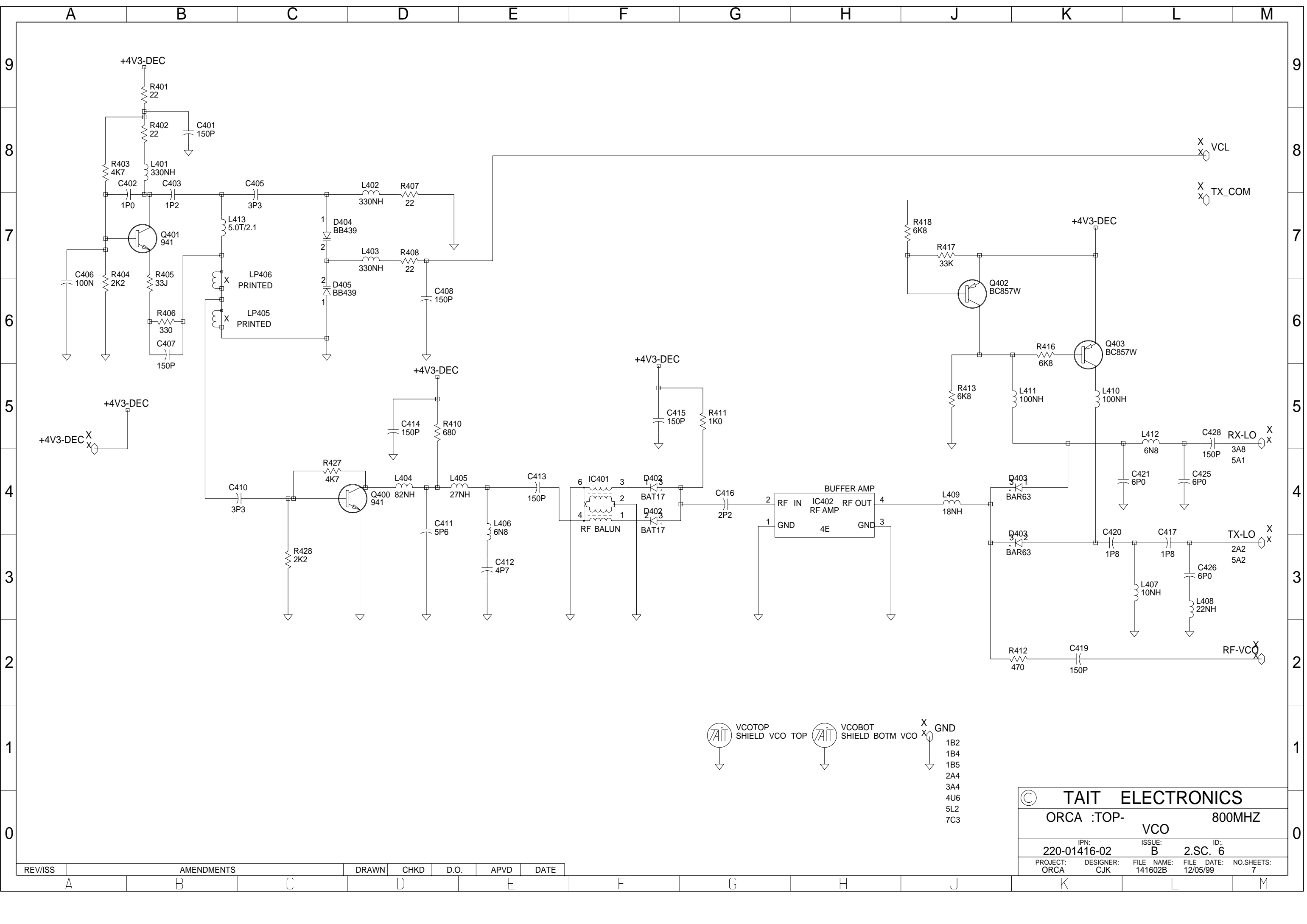
© TAIT ELECTRONICS
 ORCA :TOP- RECEIVER 800MHZ
 IPN: 220-01416-02 ISSUE: B ID: 2.S.C. 3
 PROJECT: ORCA DESIGNER: CJK FILE NAME: 141602B FILE DATE: 12/05/99 NO.SHEETS: 7

REV/ISS	AMENDMENTS	DRAWN	CHKD	D.O.	APVD	DATE
A						



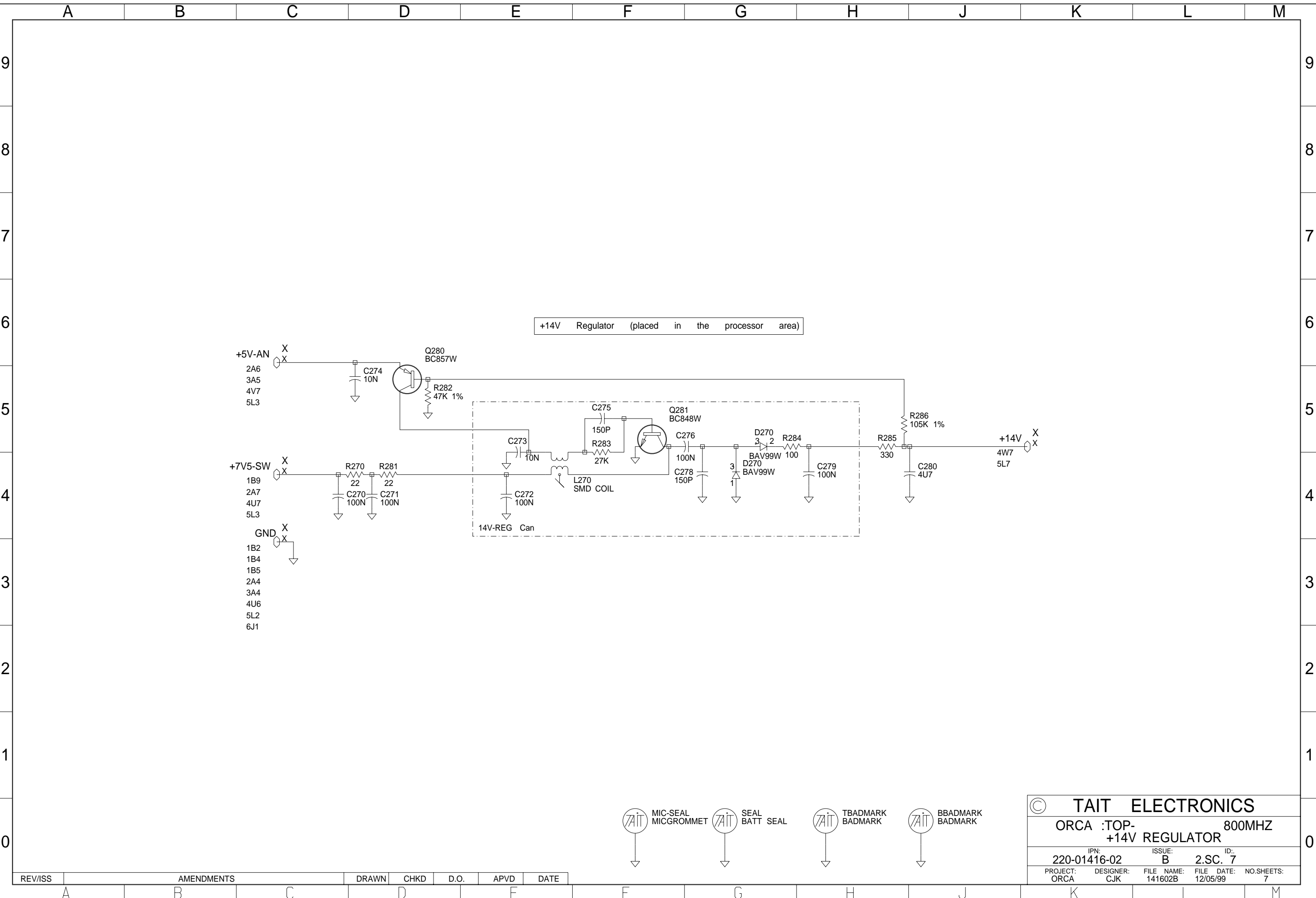
© TAIT ELECTRONICS
 ORCA :TOP- 800MHZ
 SYNTHESISER
 IPN: 220-01416-02 ISSUE: B ID: 2.SC. 5
 PROJECT: ORCA DESIGNER: CJK FILE NAME: 141602B FILE DATE: 12/05/99 NO.SHEETS: 7

REV/ISS	AMENDMENTS	DRAWN	CHKD	D.O.	APVD	DATE



© TAIT ELECTRONICS			
ORCA :TOP-		800MHZ	
IPN: 220-01416-02		ISSUE: B	ID: 2.SC. 6
PROJECT: ORCA	DESIGNER: CJK	FILE NAME: 141602B	FILE DATE: 12/05/99
			NO.SHEETS: 7

REV/ISS	AMENDMENTS	DRAWN	CHKD	D.O.	APVD	DATE



+14V Regulator (placed in the processor area)

- +5V-AN X
 - 2A6
 - 3A5
 - 4V7
 - 5L3
-
- +7V5-SW X
 - 1B9
 - 2A7
 - 4U7
 - 5L3
-
- GND X
 - 1B2
 - 1B4
 - 1B5
 - 2A4
 - 3A4
 - 4U6
 - 5L2
 - 6J1

© TAIT ELECTRONICS

ORCA :TOP- 800MHZ
+14V REGULATOR

IPN: 220-01416-02 ISSUE: B ID: 2.SC. 7

PROJECT: ORCA DESIGNER: CJK FILE NAME: 141602B FILE DATE: 12/05/99 NO.SHEETS: 7

- TAIT MIC-SEAL MICGROMMET
- TAIT SEAL BATT SEAL
- TAIT TBADMARK BADMARK
- TAIT BBADMARK BADMARK

REV/ISS	AMENDMENTS	DRAWN	CHKD	D.O.	APVD	DATE